

Dell PowerEdge R520 Getting Started Guide

Regulatory Model: E19S Series
Regulatory Type: E19S001



Notes, Cautions, and Warnings



NOTE: A NOTE indicates important information that helps you make better use of your computer.



CAUTION: A CAUTION indicates either potential damage to hardware or loss of data and tells you how to avoid the problem.



WARNING: A WARNING indicates a potential for property damage, personal injury, or death.

Information in this publication is subject to change without notice.

© 2012 Dell Inc. All rights reserved.

Reproduction of these materials in any manner whatsoever without the written permission of Dell Inc. is strictly forbidden.


Trademarks used in this text: Dell™, the Dell logo, Dell Precision™, OptiPlex™, Latitude™, PowerEdge™, PowerVault™, PowerConnect™, OpenManage™, EqualLogic™, Compellent™, KACE™, FlexAddress™, Force10™ and Vostro™ are trademarks of Dell Inc. Intel®, Pentium®, Xeon®, Core® and Celeron® are registered trademarks of Intel Corporation in the U.S. and other countries. AMD® is a registered trademark and AMD Opteron™, AMD Phenom™ and AMD Sempron™ are trademarks of Advanced Micro Devices, Inc. Microsoft®, Windows®, Windows Server®, Internet Explorer®, MS-DOS®, Windows Vista® and Active Directory® are either trademarks or registered trademarks of Microsoft Corporation in the United States and/or other countries. Red Hat® and Red Hat® Enterprise Linux® are registered trademarks of Red Hat, Inc. in the United States and/or other countries. Novell® and SUSE® are registered trademarks of Novell Inc. in the United States and other countries. Oracle® is a registered trademark of Oracle Corporation and/or its affiliates. Citrix®, Xen®, XenServer® and XenMotion® are either registered trademarks or trademarks of Citrix Systems, Inc. in the United States and/or other countries. VMware®, Virtual SMP®, vMotion®, vCenter® and vSphere® are registered trademarks or trademarks of VMware, Inc. in the United States or other countries. IBM® is a registered trademark of International Business Machines Corporation.

Other trademarks and trade names may be used in this publication to refer to either the entities claiming the marks and names or their products. Dell Inc. disclaims any proprietary interest in trademarks and trade names other than its own.

2012 - 01

Rev. A00

Installation And Configuration

 **WARNING:** Before performing the following procedure, review the safety instructions that came with the system.

Unpacking A Rack System

Unpack your system and identify each item.

Assemble the rails and install the system in the rack following the safety instructions and the rack installation instructions provided with your system.

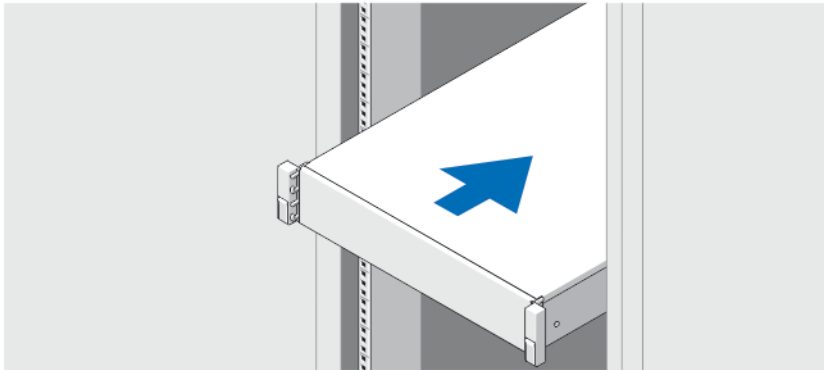


Figure 1. Installing the System in a Rack

Optional—Connecting The Keyboard Mouse And Monitor

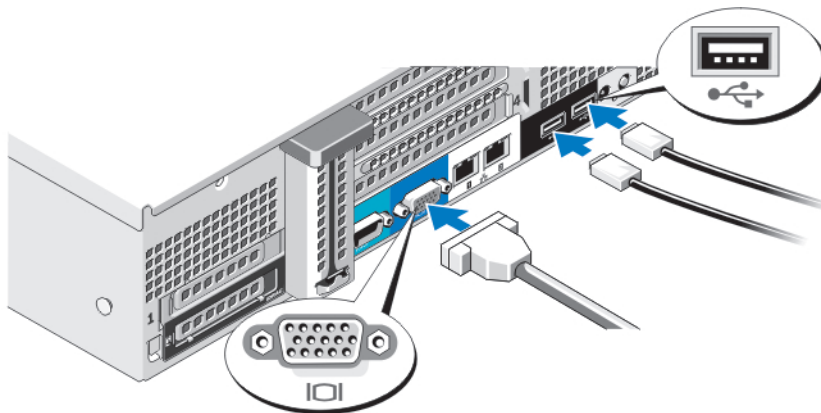


Figure 2. Connecting Keyboard, Mouse, and Monitor

Connect the keyboard, mouse, and monitor (optional).

The connectors on the back of your system have icons indicating which cable to plug into each connector. Be sure to tighten the screws (if any) on the monitor's cable connector.

Connecting The Power Cable(s)

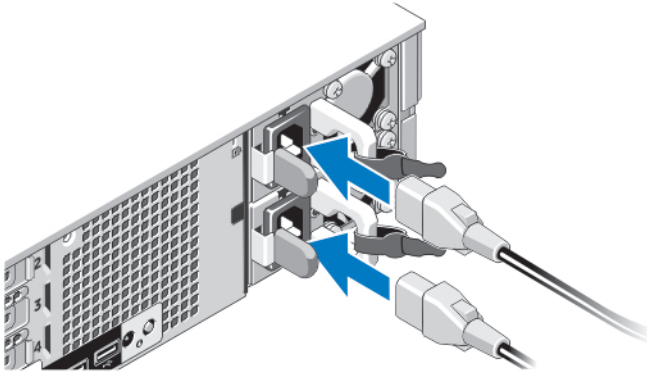


Figure 3. Connecting Power Cable(s)

Connect the system's power cable(s) to the system and, if a monitor is used, connect the monitor's power cable to the monitor.

Securing The Power Cable(s)

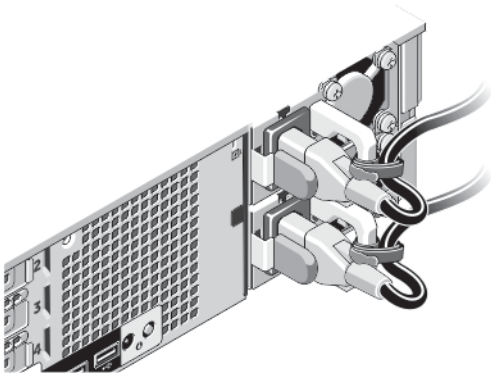


Figure 4. Securing Power Cable(s)

Bend the system power cable(s), as shown in the illustration, and attach to the cable strap.

Plug the other end of the power cable(s) into a grounded electrical outlet or a separate power source such as an uninterruptible power supply (UPS) or a power distribution unit (PDU).

Turning On The System

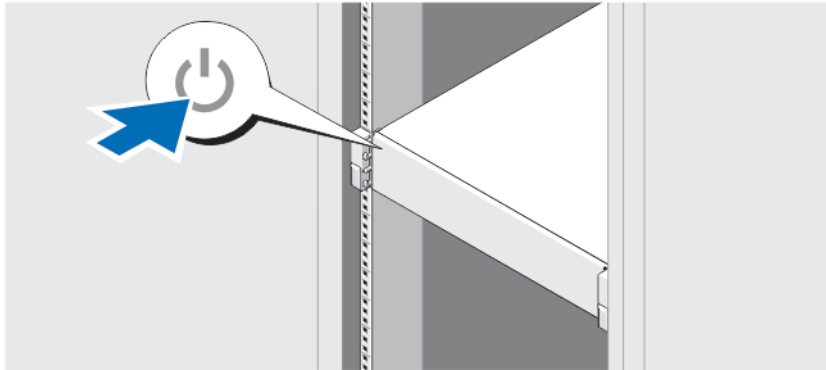


Figure 5. Turning on the System

Press the power button on the system. The power indicator should light.

Installing The Optional Bezel

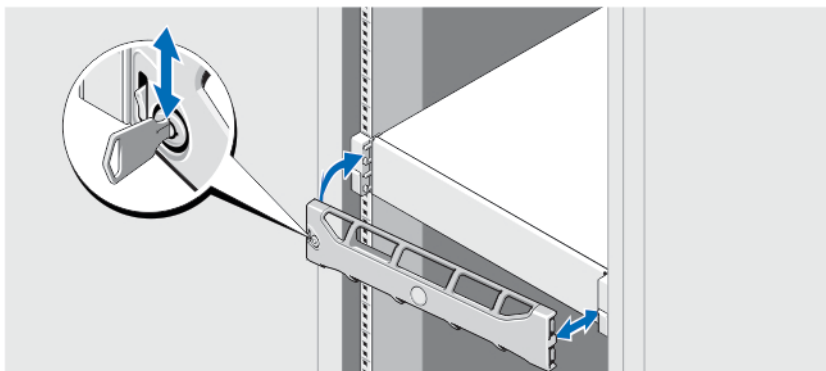


Figure 6. Installing the Bezel

Install the bezel (optional).

Complete The Operating System Setup

If you purchased a preinstalled operating system, see the documentation associated with the operating system. To install an operating system for the first time, see the installation and configuration documentation for your operating system. Be sure the operating system is installed before installing hardware or software not purchased with the system.


 **NOTE:** For the latest information on supported operating systems, see dell.com/ossupport.

Dell Software License Agreement

Before using your system, read the Dell Software License Agreement that came with your system. You must consider any media of Dell-installed software as BACKUP copies of the software installed on your system's hard drive. If you do

not accept the terms of the agreement, call the customer assistance telephone number. For customers in the United States, call 800-WWW-DELL (800-999-3355). For customers outside the United States, visit support.dell.com and select your country or region from the top of the page.

Other Information You May Need

 **WARNING:** See the safety and regulatory information that shipped with your system. Warranty information may be included within this document or as a separate document.

- The *Owner's Manual* provides information about system features and describes how to troubleshoot the system and install or replace system components. This document is available online at support.dell.com/manuals.
- The rack documentation included with your rack solution describes how to install your system into a rack, if required.
- Any media that ships with your system that provides documentation and tools for configuring and managing your system, including those pertaining to the operating system, system management software, system updates, and system components that you purchased with your system.

 **NOTE:** Always check for updates on support.dell.com/manuals and read the updates first because they often supersede information in other documents.

Obtaining Technical Assistance


If you do not understand a procedure in this guide or if the system does not perform as expected, see your *Owner's Manual*. Dell offers comprehensive hardware training and certification. See dell.com/training for more information. This service may not be offered in all locations.

NOM Information

The following information is provided on the device described in this document in compliance with the requirements of the official Mexican standards (NOM):


Importer:	Dell Inc. de México, S.A. de C.V. Paseo de la Reforma 2620 -11° Piso Col. Lomas Altas 11950 México, D.F.
Model number:	E19S
Supply voltage:	100–240 V CA (with 495 W, 550 W, 750 W, and 1100 W AC Power Supply Unit) –(48–60) V de CC (with 1100 W DC Power Supply Unit)
Frequency:	50 Hz/60 Hz
Current consumption:	12 A to 6.5 A (X2) (1100 W redundant AC power supply unit) 10 A to 5 A (X2) (750 W redundant AC power supply unit) 6.5 A to 3 A (X2) (495 W redundant AC power supply unit) 7.4 A to 3.7 A (550 W non-redundant AC power supply unit) 32 A (X2) (1100 W redundant DC power supply unit)

Technical Specifications


 **NOTE:** The following specifications are only those required by law to ship with your system. For a complete and current listing of the specifications for your system, go to support.dell.com.


Power

AC Power Supply (per power supply)

Wattage	495 W, 550 W, 750 W, or 1100 W AC power supply unit
Heat dissipation	1908 BTU/hr maximum (495 W redundant power supply) 2315 BTU/hr maximum (550 W non-redundant power supply) 2891 BTU/hr maximum (750 W redundant power supply) 4100 BTU/hr maximum (1100 W redundant power supply)
 NOTE: Heat dissipation is calculated using the power supply wattage rating.	
Voltage	100–240 VAC, autoranging, 50/60 Hz

DC Power Supply (per power supply)

Wattage	1100 W DC power supply unit
Heat dissipation	4416 BTU/hr maximum
 NOTE: Heat dissipation is calculated using the power supply wattage rating.	
Voltage	–(48–60) VDC

 **NOTE:** This system is designed to be connected to IT power systems with a phase to phase voltage not exceeding 230 V.

Battery

Coin-cell battery	3 V CR2032 Lithium coin cell
-------------------	------------------------------

Physical

Height	86.8 mm (3.42 inch)
Width	
With rack latches	482.4 mm (18.99 inch)
Without rack latches	434 mm (17.09 inch)
Depth (excludes bezel)	611.1 mm (24.06 inch)
Weight (maximum)	28.2 kg (62.17 lb)
Weight (empty)	13.7 kg (30.20 lb)

